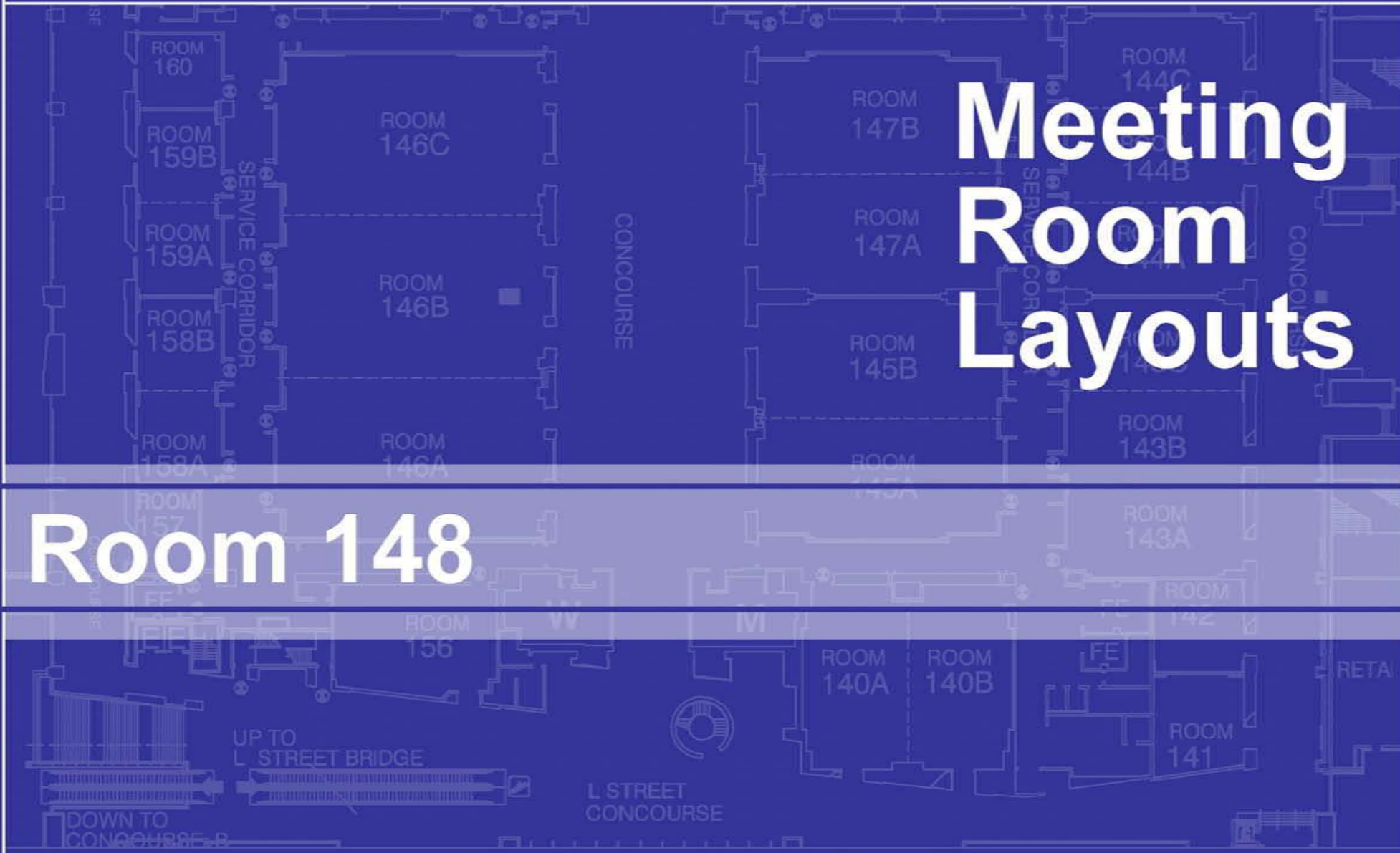




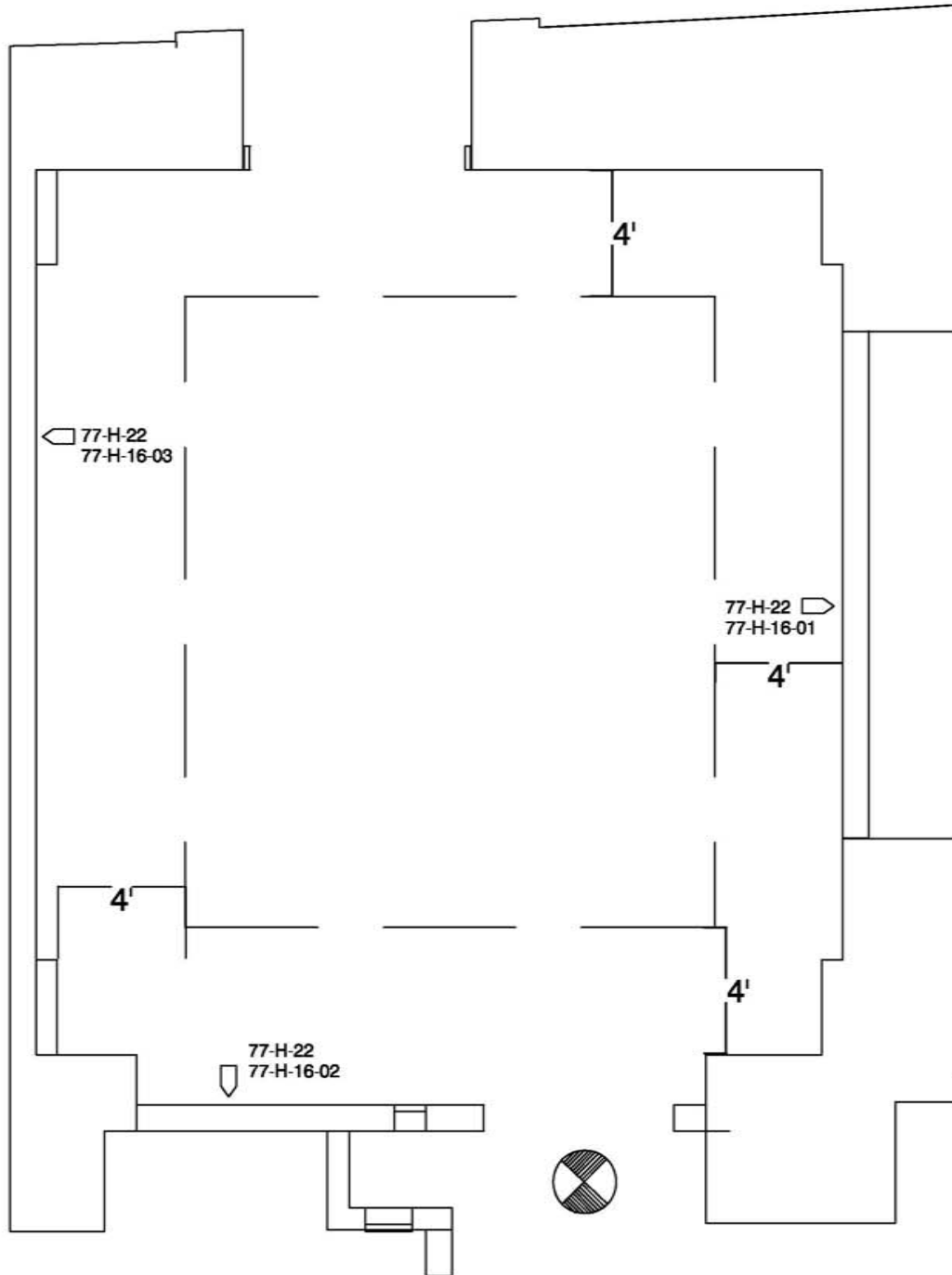
WASHINGTON CONVENTION CENTER

Meeting Room Layouts

Room 148



Drawing as of 6/24/06



This Layout Does Not Allow Room For a Head Table
Eliminate One Row of Tables To Place a Head Table

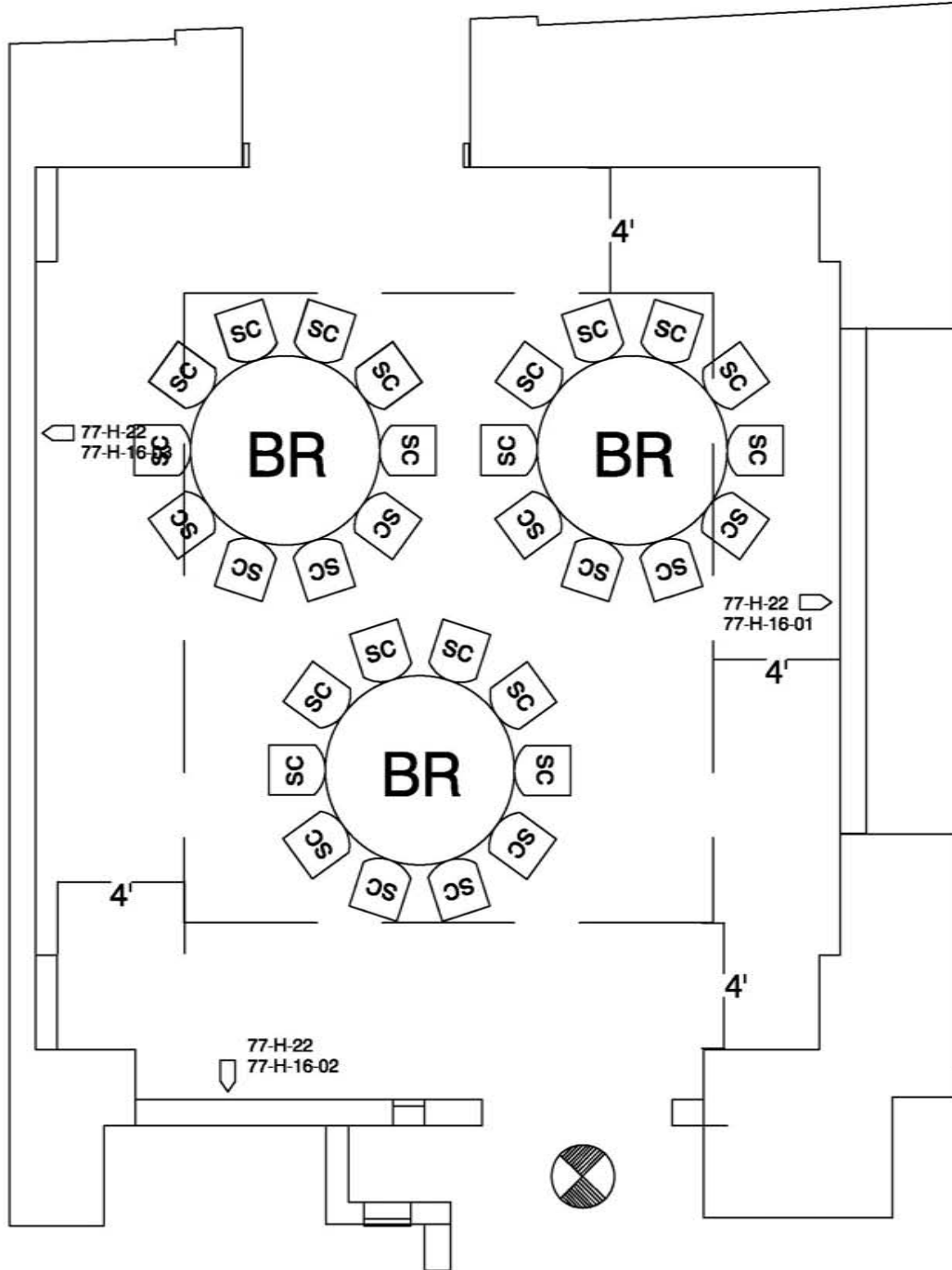


WASHINGTON
CONVENTION CENTER

Meeting Room: 148

LEGEND

	Stacking Chair	
	8' x 30" Table	
	8' x 18" Table	
	6' x 18" Table	
	6' x 30" Table	
	72" BANQUET ROUND TABLE	
	30" COCKTAIL ROUND TABLE	
	6'X8' MEETING ROOM RISER	
	8'X8' MEETING ROOM RISER	
	3'X3' DANCE FLOOR PANELS	
	CONGRESSIONAL LECTERN STANDARD	
	STATESMAN LECTERN (VIP)	
	CONGRESSIONAL LECTERN (ADA)	
	CONGRESSIONAL LECTERN (TABLE-TOP)	
	ADA LIFT	
	ADA RAMP	
	STEP UNIT (2)	
	STEP UNIT (3)	
	STEP UNIT (5)	
	TELEPHONE	
	FIRE EXIT	



This Layout Does Not Allow Room For a Head Table
Eliminate One Row of Tables To Place a Head Table

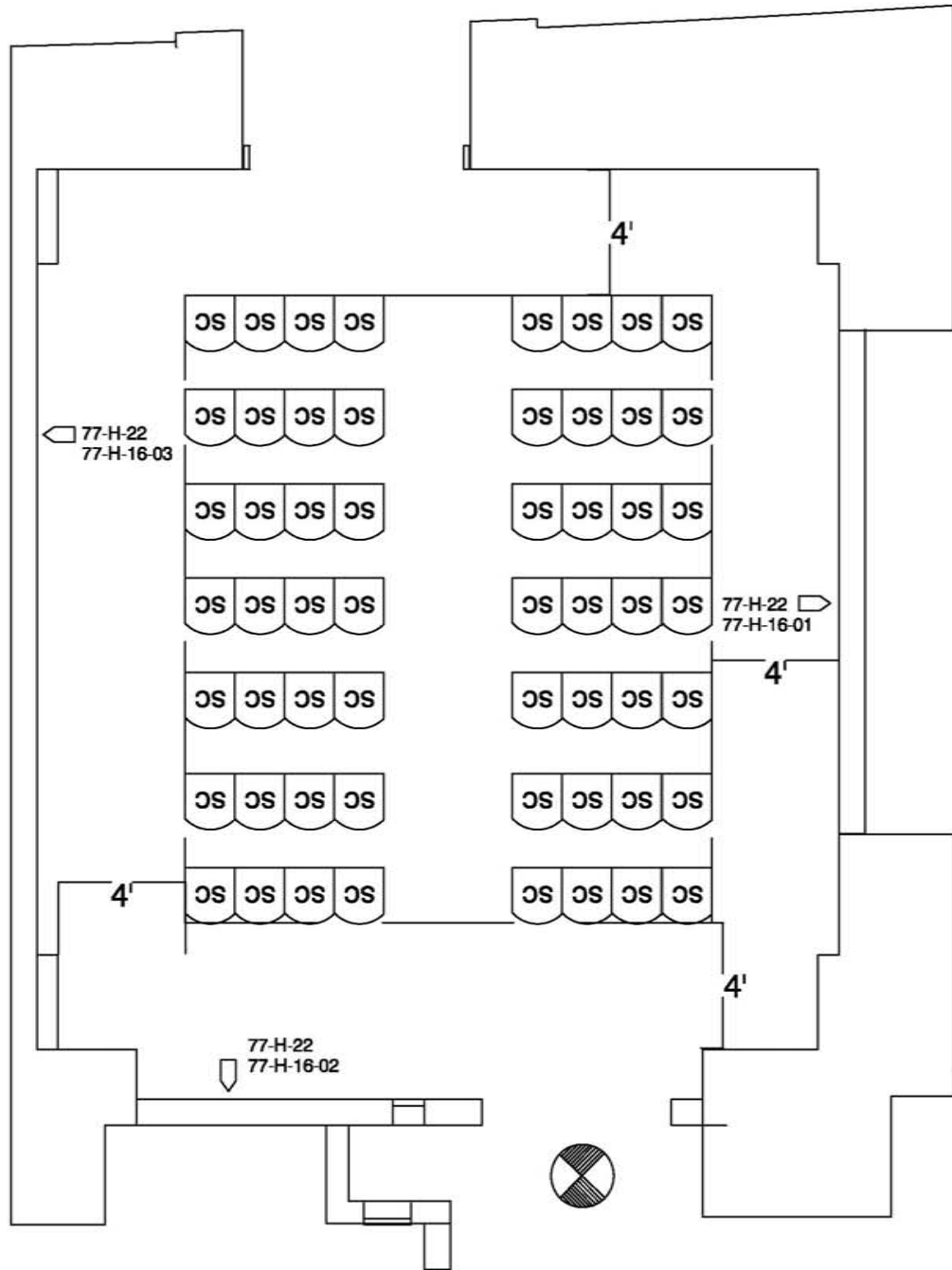


WASHINGTON
CONVENTION CENTER

Meeting Room: 148
Banquet Capacity: 30

LEGEND

	Stacking Chair	
	8' x 30" Table	
	8' x 18" Table	
	6' x 18" Table	
	6' x 30" Table	
	72" BANQUET ROUND TABLE	
	30" COCKTAIL ROUND TABLE	
	6'X8' MEETING ROOM RISER	
	8'X8' MEETING ROOM RISER	
	3'X3' DANCE FLOOR PANELS	
	CONGRESSIONAL LECTERN STANDARD	
	STATESMAN LECTERN (VIP)	
	CONGRESSIONAL LECTERN (ADA)	
	CONGRESSIONAL LECTERN (TABLE-TOP)	
	ADA LIFT	
	ADA RAMP	
	STEP UNIT (2)	
	STEP UNIT (3)	
	STEP UNIT (5)	
	TELEPHONE	
	FIRE EXIT	



This Layout Does Not Allow Room For a Head Table
Eliminate One Row of Tables To Place a Head Table



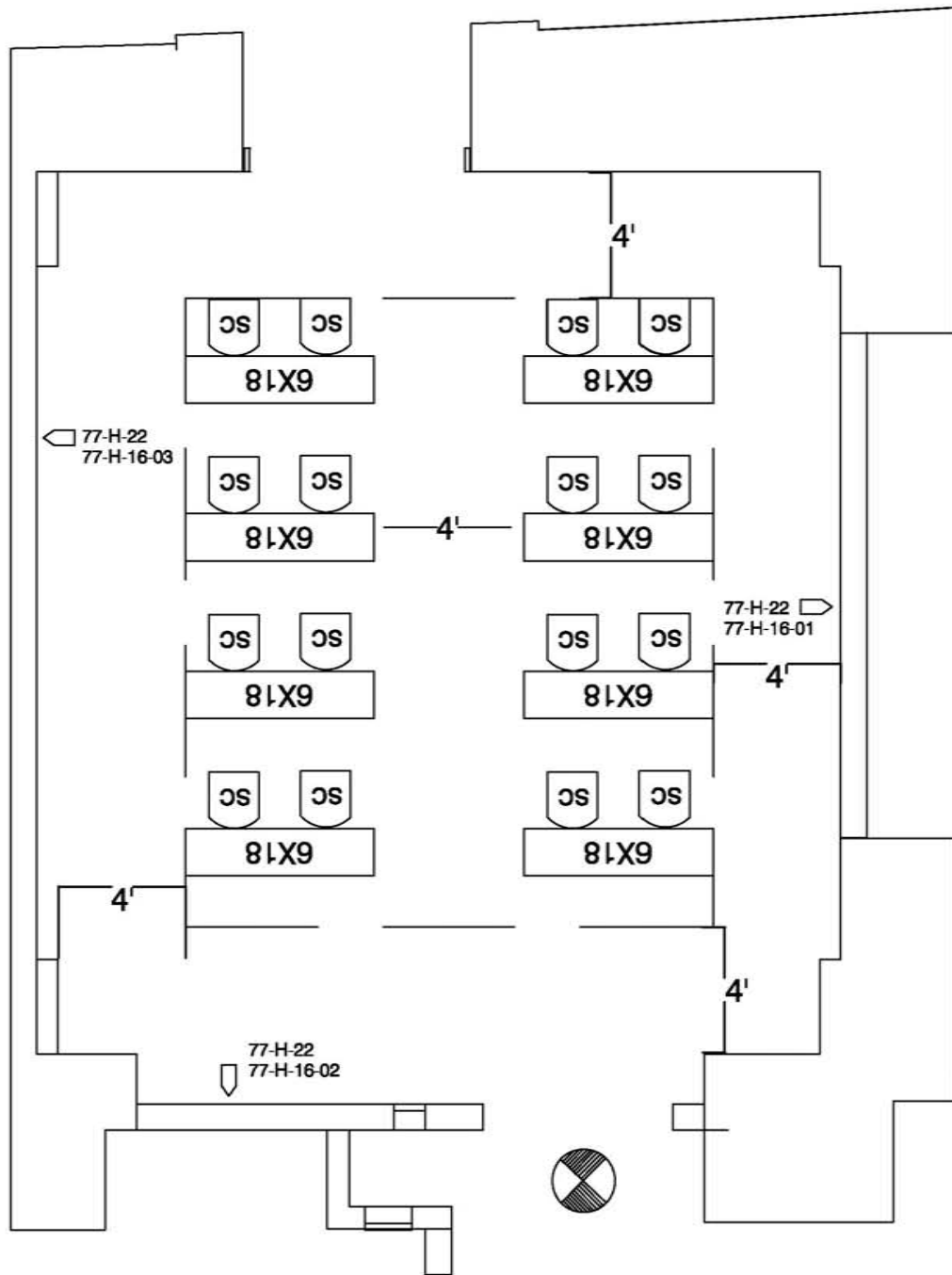
WASHINGTON
CONVENTION CENTER

Meeting Room: 148
Theater Capacity: 56

LEGEND

	Stacking Chair	
	8' x 30" Table	
	8' x 18" Table	
	6' x 18" Table	
	6' x 30" Table	
	72" BANQUET ROUND TABLE	
	30" COCKTAIL ROUND TABLE	
	6'X8' MEETING ROOM RISER	
	8'X8' MEETING ROOM RISER	
	3'X3' DANCE FLOOR PANELS	
	CONGRESSIONAL LECTERN STANDARD	
	STATESMAN LECTERN (VIP)	
	CONGRESSIONAL LECTERN (ADA)	
	CONGRESSIONAL LECTERN (TABLE-TOP)	
	ADA LIFT	
	ADA RAMP	
	STEP UNIT (2)	
	STEP UNIT (3)	
	STEP UNIT (5)	
	TELEPHONE	
	FIRE EXIT	

Drawing as of 6/24/06



This Layout Does Not Allow Room For a Head Table
Eliminate One Row of Tables To Place a Head Table



WASHINGTON
CONVENTION CENTER

Meeting Room: 148

Classroom Capacity: 16

LEGEND

	Stacking Chair	
	8' x 30" Table	
	8' x 18" Table	
	6' x 18" Table	
	6' x 30" Table	
	72" BANQUET ROUND TABLE	
	30" COCKTAIL ROUND TABLE	
	6'X8' MEETING ROOM RISER	
	8'X8' MEETING ROOM RISER	
	3'X3' DANCE FLOOR PANELS	
	CONGRESSIONAL LECTERN STANDARD	
	STATESMAN LECTERN (VIP)	
	CONGRESSIONAL LECTERN (ADA)	
	CONGRESSIONAL LECTERN (TABLE-TOP)	
	ADA LIFT	
	ADA RAMP	
	STEP UNIT (2)	
	STEP UNIT (3)	
	STEP UNIT (5)	
	TELEPHONE	
	FIRE EXIT	